



优钻地质材料供应有限公司 PRE-MAT DRILLING SUPPLIES PTE LTD

Co Reg. No. 199900213-K GST Reg. No. 19-9900213-K
 No. 48 Toh Guan Road East #06-107 Enterprise Hub, Singapore 608586
 Tel: (65) 6861 5323 Fax: (65) 6861 0882 Mobile: (65) 9633 1617 / (65) 9665 2712
 Email: enquiry@premat.com.sg Website: http://www.premat.com.sg

STANDARD PENETRATION TEST

(AUTOMATIC DROP HAMMER)

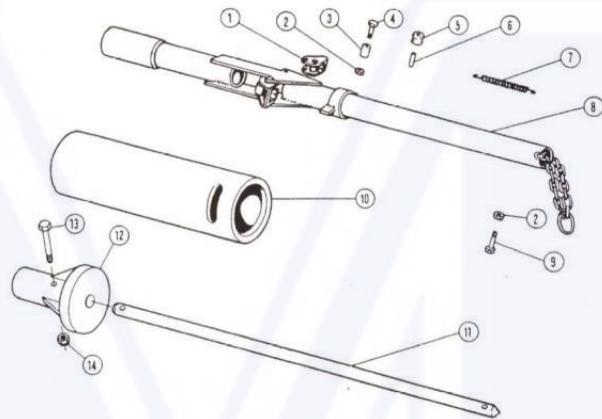


The simplest method of obtaining some information on concerning the degree of compactness of the soil , consists of counting the number of blows required by a drop weight of 140 lbs. (63.5 kg) falling through a distance of 30" (762 mm) driving a standard sampling tool into the soil.

The drive weight assembly illustrated consists of a 140 lbs. barrel sliding over the lifting tube. The lifting incorporates an auto trip mechanism, consisting of a finger and springs arrangement that releases the weight at a given point.

ITEM DESCRIPTION

ITEM NO.	DESCRIPTION
1 to 8	Lifting Table
1	Ear Holder
5	Roller
6	Pin
7	Spring
10	Weight (140 lbs.)
11 to 14	Anvil Shaft

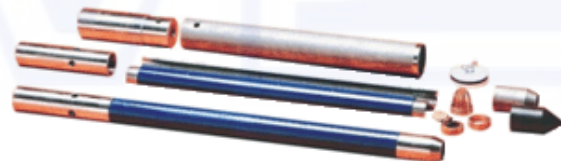


STANDARD SPLIT TUBE SAMPLER

This split tube sampler is designed for taking soil samples at the bottom of a cleaned bore hole by the drive weight method. The split section is held together with a ball check head and a hardened steel drive shoe. The ball check feature in the head prevents samples from being washed out of sampler upon withdrawal from the hole. The sampler is designed to accommodate a brass, plastic or paper tube liner for collecting and carrying samples to the field office. Sample lengths 19" (457.2 mm) and 24inch (609.6 mm) are available.

NOTE

1. Step in tube design prevents bowing when driven
 2. Heat Treated Drive Shoe is recessed to accommodate various accessories
- Stainless steel sampler assemblies and tubes are available to meet environmental sampling requirements
 Solid 6" (152.4 mm) extension available to accommodate "California Type" requirements





Standard Split Tube Sampler

With Heat Treated Shoes

Size	Shoe I.D.	Conn.	Sample Length		Part Number	Weight	
			inch	mm		lbs.	kg
2" O.D. x 1½" I.D. (50.8 mm. x 38.1 mm.)	1⅜"	AW	18	457.2	22017-2	10.5	4.8
	(34.9 mm.)		24	609	22017-9	12.5	5.6
2½" O.D. x 2" I.D. (63.5 mm. x 50.8 mm.)	1⅞"	AW	18	457.2	22018-2	15	6.7
	(47.6 mm.)		24	609	22018-4	17.5	7.9
3" O.D. x 2½" I.D. (76.2 mm. x 63.5 mm.)	2⅜"	NW	18	457.2	22019-3	19.5	8.8
	(60.3 mm.)		24	609	22019-4	23	10.4
3½" O.D. x 3" I.D. (88.9 mm. x 76.2 mm.)	2⅞"	NW	18	457.2	22022-2	22	9.9
	(73.0 mm.)		24	609	22022-6	25	11.3
4½" O.D. x 4" I.D. (113.7 mm. x 101.0 mm.)	3⅞"	NW	18	457.2	22020-3	33.5	15.1
	(98.4 mm.)		24	609	22020-4	41.5	18.7

Standard Split Tube Sampler

Description	2" O.D.			2½" O.D.			3" O.D.		
	Part	Weight		Part	Weight		Part	Weight	
	Number	lbs.	kg	Number	lbs.	kg	Number	lbs.	kg
Head Assembly "AW"	22036-7	3	1.4	22036-4	6	2.7	22036-10	8	3.6
Tube - 18"	22016-6	10	4.5	22016-2	12	5.5	22016-8	11	5
Tube - 24"	22016-7	11	5	22016-12	15	6.8	22016-9	12	5.5
Open Shoe - Blunt ^{1/16"}	120062-4	1	0.45	120062-2	1	0.45	120062-7	2	0.9
Open Shoe - ASTM ^{1/16"}	120062-5	1	0.45	---	---	---	---	---	---
Spacer **	150035-272	*	*	150035-273	*	*	150035-274	*	*
Brass Liner - 18"	120060-7	2	0.9	120060-2	2	0.9	120060-10	3	1.4
Brass Liner - 24"	120060-16	2	0.9	120060-18	2.5	1.3	120060-19	3	1.4
Teflon Liner - 18"	120966-1	*	*	N/A	---	---	N/A	---	---
Teflon Liner - 24"	120966-2	*	*	N/A	---	---	N/A	---	---
Clear Plastic Liner - 18"	120878-1	*	*	120878-7	*	*	120878-9	*	*
Clear Plastic Liner - 24"	120878-2	*	*	120878-8	*	*	120878-3	*	*
Plastic Cap	90367-35	*	*	90367-43	*	*	90367-49	*	*
Special Coupling	120161-1	1	0.45	120161-2	1	0.45	120161-3	1	0.45

* Less than 1 lbs. (0.45)

** Limited sizes available

Options and Spare Parts

Standard Split Tube Sampler

Description	3½" O.D.				4½" O.D.			
	Part Number	Weight		Part Number	Weight			
		lbs.	kg		lbs.	kg		
Head Assembly "NW"	22036-2	9	4.1	22036-12	11	5		
Tube - 18"	22016-1	14	6.4	22016-10	15	6.8		
Tube - 24"	22016-24	15	6.8	22016-11	16	7.3		
Open Shoe - Blunt	120062-1	2	0.9	120062-8	3	1.4		
Open Shoe - ASTM	---	---	---	---	---	---		
Spacer **	150035-275	*	*	150035-276	*	*		
Brass Liner - 18"	N/A	---	---	N/A	---	---		
Brass Liner - 24"	N/A	---	---	N/A	---	---		
Teflon Liner - 18"	N/A	---	---	N/A	---	---		
Teflon Liner - 24"	N/A	---	---	N/A	---	---		
Clear Plastic Liner - 18"	120878-10	*	*	N/A	---	---		
Clear Plastic Liner - 24"	120878-11	*	*	N/A	---	---		
Plastic Cap	90367-55	*	*	N/A	---	---		
Special Coupling	120161-4	1	0.45	120161-5	1	0.45		

* Less than 1 lbs. (0.45)

** Limited sizes available

N/A - not available